

London Borough of Richmond upon Thames

Local Plan

**REFUSE AND RECYCLING
STORAGE REQUIREMENTS**

**SUPPLEMENTARY PLANNING
DOCUMENT**

Adopted April 2015

Table of Contents

1. Residential Developments.....	3
2. Commercial and mixed use developments.....	4
3. Bin areas	6
4. Access to bin areas	7
5. Dimensions of refuse and recycling collection rear compaction vehicles (RCVs).....	8
6. Waste containers.....	9
7. Commencing collections	10

1. Residential Developments

1.1. General principles

- 1.1.1. The London Borough of Richmond upon Thames operates a weekly collection of refuse and recycling (mixed paper, card and cartons) and mixed containers (glass, cans, foil, aerosols, plastic bottles, pots, tubs and trays) from domestic properties.
- 1.1.2. All scheduled collections usually take place between 6am and 4pm Monday to Friday (collection days subject to change during bank holiday weeks). This may be subject to change.
- 1.1.3. Waste must not be stored on the public highway.
- 1.1.4. All residential properties must provide their own refuse containers, whether using individual or communal facilities. The Council provides recycling containers free of charge, except for green waste recycling.
- 1.1.5. Household and commercial waste and recycling must be kept separate at all times.
- 1.1.6. Consideration should be given to the provision of space for storing recyclable and non-recyclable waste when designing kitchens and utility rooms.

1.2. Storage capacity

- 1.2.1. Residential dwellings must have adequate storage capacity to allow for weekly collections of refuse and recyclable material. The estimates below are a guide.

1.3. Refuse storage capacity

1.3.1. Houses / developments with individual refuse containers

- Storage capacity of 240 litres for refuse per household of three bedrooms or fewer
- Storage capacity of 360 litres for refuse per household more than three bedrooms

1.3.2. Developments using communal refuse storage containers

- Storage capacity of 70 litres per bedroom. This requirement relates to communal waste containers.

1.4. Dry recycling storage capacity

1.4.1. Houses and developments of up to two units

- Storage capacity for two 55 litre recycling boxes.
- Space must be provided so that the boxes can be presented within the property boundary and be visible from the kerbside on collection day.

1.4.2. Flats of three or more units

- Pairs of bins should be sited together so that residents can easily access both streams of recycling.
- Recycling bins should be located alongside refuse bins so it is as easy to access both sets of bins.
- Wheeled containers for recycling are provided by Richmond Council and are available in the following sizes: 240 litres, 360 litres and 1100 litres.

Number of households served by bin area	Mixed paper, card and carton recycling bins	Mixed container recycling bins	Total recycling bins
3 to 5	1x 240L	1x 240L	2x 240L
7 to 8	1x 360L	1x 360L	2x 360L
9 to 11	2x 240L	2x 240L	4x 240L
12 to 17	2x 360L	2x 360L	4x 360L
18 to 25	1x 1100L	1x 1100L	2x 1100L
26 to 45	2x 1100L	2x 1100L	4x 1100L
46 to 70	3x 1100L	3x 1100L	6x 1100L

1.5. Food waste recycling capacity

1.5.1. Houses and flats of up to five units

- Storage capacity for one 23 litre food waste container per unit
- Space must be provided so that the container(s) can be presented within the property boundary and visible from the kerbside on collection day.
- There is currently no communal food waste collection for properties of six units and above

1.6. Bulky items

- 1.6.1. For large residential developments, additional storage space should be considered for redundant bulky household goods, such as fridges/freezers, furniture, cookers, IT equipment etc. These items are only collected on request for a fee.

2. Commercial and mixed use developments

2.1. Calculation of refuse and recycling storage capacity for offices

- 2.1.1. When considering the amount of storage space needed for any particular development the following requirements will help to calculate the volume of waste generated. They should only be taken as a guide since individual developments may need specific storage requirements.

- 2.1.2. 2.6 cubic metres waste storage should be provided for every 1,000m² gross floor space.

Note: 50% of this capacity should be retained for the storage of separated waste for recycling.

2.2. Mixed use developments

- 2.2.1. For mixed use developments (i.e. commercial and residential), the commercial and residential waste must be stored and collected separately.
- 2.2.2. The commercial waste storage area should be clearly separate from the storage area for residential waste, with separate access to each.
- 2.2.3. Residual waste and recycling capacity for commercial and residential waste should be provided as per guidance elsewhere in this waste and recycling advice.

2.3. Commercial recycling

- 2.3.1. The provision of space for recyclable material in commercial developments is likely to result in lower commercial waste collection charges, as well as providing a practical demonstration of the occupant's concern for environmental issues.
- 2.3.2. Mixed containers (glass bottles and jars, cans, foil, aerosols, plastic bottle and rigid household plastic containers) can be collected for recycling by the Council, as well as private companies. – the standard bin sizes are 240lt, 360lt 660/770lt and 1100lt.
- 2.3.3. Mixed paper, cardboard and cartons can also be collected for recycling by the Council, as well as private companies, in a variety of different sized containers.
- 2.3.4. The Environment Agency maintains a database of licensed waste collection contractors for other recyclable material and difficult/hazardous wastes (e.g. cooking oil, fluorescent tubes, computer monitors, etc).

2.4. Off-street collections

- 2.4.1. In order to further reduce the environmental impact of waste being placed on the pavement for collection buildings will be expected to have an off-street collection area at ground floor level. In most cases waste should be contained in an enclosed store. Exceptions will be made to these requirements only if to make the provision would require structural and visual changes that are unacceptable to the Council.

2.5. The Environmental Protection Act 1990

- 2.5.1. This imposes a **Duty of Care** on persons concerned with controlled waste. The duty applies to any person who produces, imports, carries, keeps, treats or disposes of controlled waste. Breach of the Duty of Care is an offence, with a penalty of an unlimited fine if convicted on indictment.
- 2.5.2. The purpose of this code is to set out practical guidance for waste holders subject to the Duty of Care. It recommends a series of steps which would normally be enough to meet the duty. The code cannot cover every contingency; the legal obligation is to comply with the Duty of Care itself rather than with the code. Anyone subject to the Duty of Care who has some 'controlled waste' should establish what the waste is.
- 2.5.3. Waste left for collection outside premises, whether on the public highway or private land, should be in containers that are strong and secure enough to resist not only wind and rain but also animal disturbance, especially food waste. All containers left outside for collection will therefore need to be secured or sealed (for example, drums with lids, bags tied up, skips covered). To minimise the risks, waste should not be left outside for collection longer than necessary.
- 2.5.4. Anyone subject to the Duty of Care must ensure that, if waste is transferred, it is transferred only to a registered waste carrier.
- 2.5.5. Further information regarding the Duty of Care can be obtained from Her Majesty's Stationery Office (HMSO), quoting ISBN 0-11-752557-X.

3. Bin areas

3.1. Individual waste and recycling storage areas

- Household waste may be stored elsewhere but should be presented for collection at the front edge of and just inside the property boundary and visible from the street where possible.
- Kerbside recycling must be presented at the front edge of and within the property boundary and visible from the street on collection day.
- Crews will not collect waste or recycling from behind locked gates/doors at individual properties.
- Bin storage areas must be permanently ventilated.
- Binstore doors must not open outwards over a public highway or road.
- Recycling boxes will not be collected from shelving units. The boxes need to be present at ground level for collection.

3.2. Communal waste and recycling storage areas

- Residential and commercial waste must not be stored in the same binstore. If residential and commercial waste will be stored in close proximity, binstores will need to have separate locks.
- As a general rule every development should be provided with the minimum number of separate containers in which to store refuse and recycling.
- Bin storage areas must be permanently ventilated.
- Binstore doors must not open outwards over a public highway or road.
- It is advisable that waste storage areas accessible from the street are provided with a lockable door fitted either with FB1 or FB2 mortice lock (waste collection operatives carry these keys) or a key code lock.
- If access to bin areas is through doors or a gate, it is advisable to fit a trades button so crews can access during set hours.
- Doors must unlock from both the inside and out.
- Waste storage areas must be large enough to allow access to all containers.
- Containers should be located in a suitably designed chamber with the following features:
 - a) a suitable cover or roof (where appropriate)
 - b) walls should be constructed of impervious material.
 - c) a double door of minimum structural width 2m.
 - d) a water supply and a trapped gully to allow for regular cleansing.
 - e) adequate lighting.
 - f) means of natural ventilation (air bricks or louvers).
 - g) a minimum headroom of 2.2m.
 - h) sufficient space to allow access to all containers.
 - i) a floor surface incorporating an integral coving to facilitate cleaning.
 - j) a rubbing strip should be attached to the wall surfaces and doors to prevent scuffing.
 - k) the floor must be level with the adjacent path or highway.

4. Access to bin areas

4.1. Operative access

- In all instances consideration must be given to the sensitivity of location, the requirements for a vehicular crossover and the likely constraints of headroom and turning space.
- In the case of a Eurobin, or similar wheeled waste container, the path between the container housing or chamber and the nearest vehicular access should:
 - a. be free of steps or kerbs (a dropped kerb may be required)
 - b. have a solid foundation
 - c. be rendered with a smooth continuous finish (a cobbled surface is unsuitable for any type of wheeled container)
 - d. be level, unless the gradient falls away from the housing or chamber, in which case it should not exceed 1:14
 - e. have a minimum width of 2 metres
 - f. If it is proposed to locate bulk waste storage containers, such as Eurobins, in a basement area inaccessible to a standard waste collection vehicle, a suitable ground floor collection area must be indicated on drawings submitted for approval. In addition, a written statement must be attached describing the proposed method for transporting the containers to ground level, including parking arrangements for a tractor unit and trailer, if these are required.
 - g. If waste containers are to be transported to ground level by a goods lift, it must be large enough to accommodate at least one waste container as well as the porter. In large schemes more than one waste container will need to be accommodated. The lift doors and adjacent lobby or corridor must be sized so that waste containers can be easily manoeuvred.

4.2. Carry and push distances for the collection of refuse and recycling

- Waste collection operatives should not be required to carry waste sacks, dustbins or move wheeled bins more than 20 metres in total.
- Storage areas for residential dwellings should be sited so that the occupiers are not required to carry refuse or recycling more than 30 metres from an external door.
- In residential dwellings, consideration should be given to access for disabled persons, where appropriate.

4.3. Vehicle access

- Reversing incidents account for a disproportionate number of accidents involving waste collection vehicles. As such, the need for reversing by vehicles should be avoided wherever possible.
- In the event that it is not possible to create permeable through routes for collection vehicles, British Standard (BS 5906: 2005) recommends a maximum reversing distance for vehicles of 12m.
- Greater distances may be acceptable within functional limits where this would allow for substantial gains in other aspects of design. Whatever the distance agreed, any reversing routes should be straight and free from obstacles and visual obstructions.

5. Dimensions of refuse and recycling collection rear compaction vehicles (RCVs)

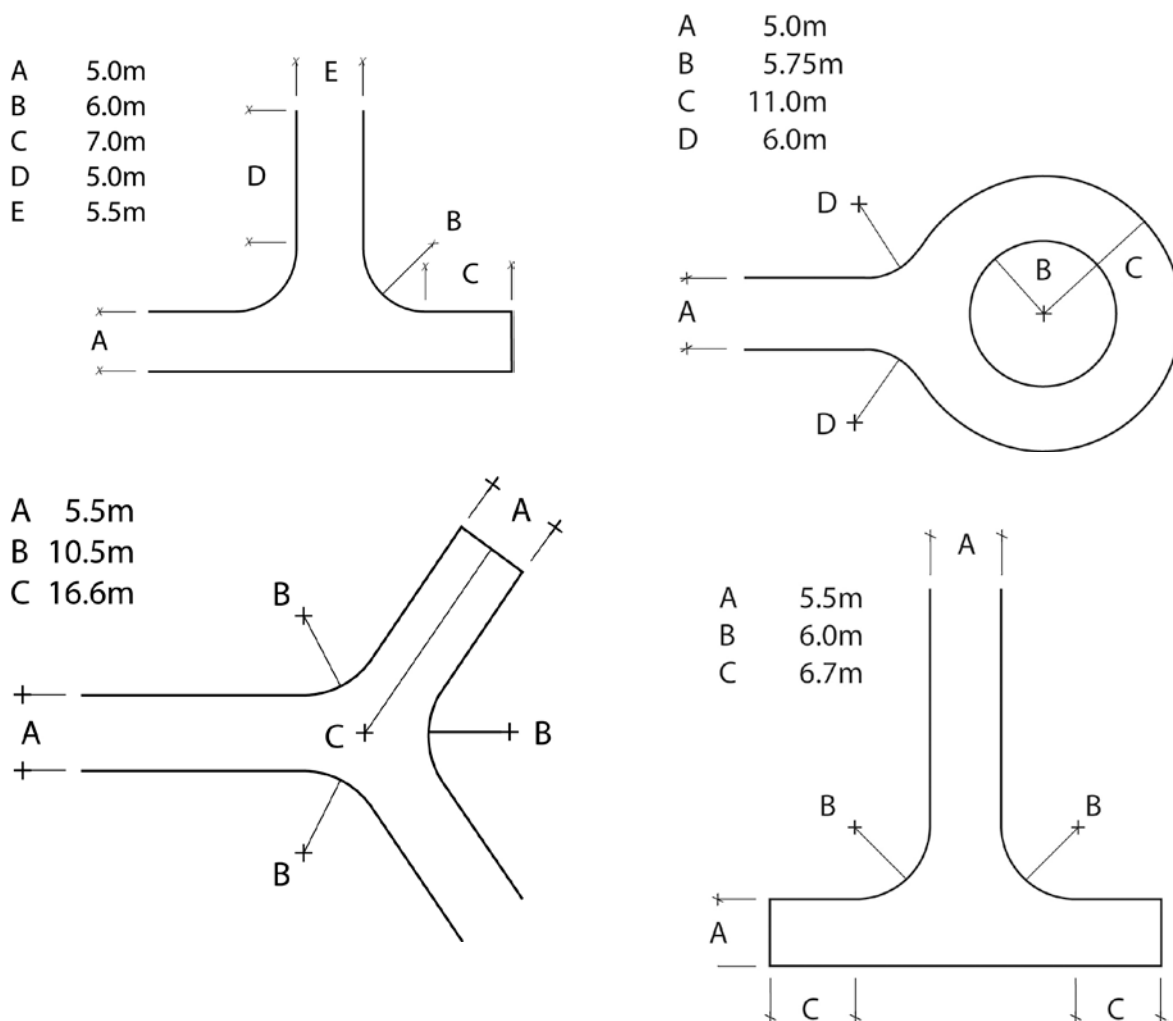
Please note that the following dimensions may be subject to change.

- (i) Vehicle type: Three Axle 21.2 - 26.00 tonnes GVW
- (ii) Width: 2.5m
- (iii) Overall length: 10.4m
- (iv) Height (incl high level exhaust): 3.8m (min height required 4.5m)
- (v) Kerb Turning Circle: 18.7m diameter
- (vi) Swept Circle: 20.0m diameter
- (vii) Axle weights: 1st 7.1 tonne; 2nd & 3rd 9.5 tonne each

Note: any part of a building through which a waste collection vehicle passes must have a minimum clear height of 4.5m to allow for overhead fixtures and fittings.

5.1. Turning dimensions

Minimum dimensions for turning areas (RCVs):



6. Waste containers

6.1. Standard wheeled bins

6.1.1. These are plastic wheeled bins with two wheels and should conform to British Standard BS EN 840: 1997. These waste containers are easy to transport and may be used as an alternative to dustbins and sacks.

6.2. Eurobins (660, 770 & 1100 litre capacity):

6.2.1. These are wheeled bins with four wheels and should conform to British Standard BS EN 840: 1997. They have a fixed lid which can be supplied with a lock if required and are suitable for residential and mixed developments and also offices of up to 2,500m² in size.

6.3. Bulk waste storage container (Chamberlain)

6.3.1. This unlined waste storage container should conform to British Standard BS EN 840: 1997 and is available with nominal a capacity of 940 litres.

6.3.2. The use of paladin bins is no longer acceptable for new developments or redeveloped bin areas.

6.4. Typical plastic recycling box sizes

Container type	Volume (l)	Height (mm)	Width (mm)	Depth (mm)
Recycling box	55	350	585	390
Food waste caddy	23	405 (handle down) 630 (handle up)	320	400

6.5. Typical plastic bin sizes

Volume (l)	Height (mm)	Width (mm)	Depth (mm)
140	1070	480	550
240	1070	585	740
360	1090	630	880
660	1190	1220	770
770	1360	1220	770
1100	1300	1220	1070
1100 (domed lid)	1470	1380	1090

6.6. Typical metal bin sizes

Volume (l)	Height (mm)	Width (mm)	Depth (mm)
660	1310	1250	720
770	1350	1250	785
1100	1370	1250	980

6.7. Typical chamberlain bin sizes

Volume (l)	Height (mm)	Width (mm)	Depth (mm)
720	1430	1100	820
940	1430	1100	1100

6.8. Clearance required for refuse and recycling bins

6.8.1. Communal waste storage areas should allow:

- (i) Sufficient clearance to allow full opening of all bin lids
- (ii) 2.2m minimum working height where compound is covered
- (iii) 2m minimum width of access threshold to the compound to allow for removal and return of containers whilst servicing
- (iv) 150mm clearance space between containers to allow ease of movement
Layout should be such that any one container may be removed without the need to move any other container
- (v) 900mm clearance space in front of each container (between containers if facing each other) to allow access to use bins.

7. Commencing collections

7.1. Once building work has been completed, the developer or managing agent will need to contact the waste and recycling department to order recycling bins and to commence refuse and recycling collections.

Contact details

Phone: 08456 122 660

Email: wasteandrecycling@richmond.gov.uk

Online: www.richmond.gov.uk/rubbish_and_recycling